

# STAND STRUCTURE

The halls A,B,C, D, E, F, G, H J, K, L & M

## MESSECENTER HERNING

Vardevej 1 · DK - 7400 Herning


**Technical Department**

Phone No. + 45 9926 9990

Telefax No. + 45 9926 9901

**STAND PARTITIONS** are made of 16 mm chip board  
 - and have a dimension of 100 x 250 cm and 50 x 250 cm respectively.

They are raised 6 cm above the floor - the total height is 250 cm

**THE FASCIA** is elaborated as a  - profile in lengths from 50 to 600 cm (interval : 50 cm).

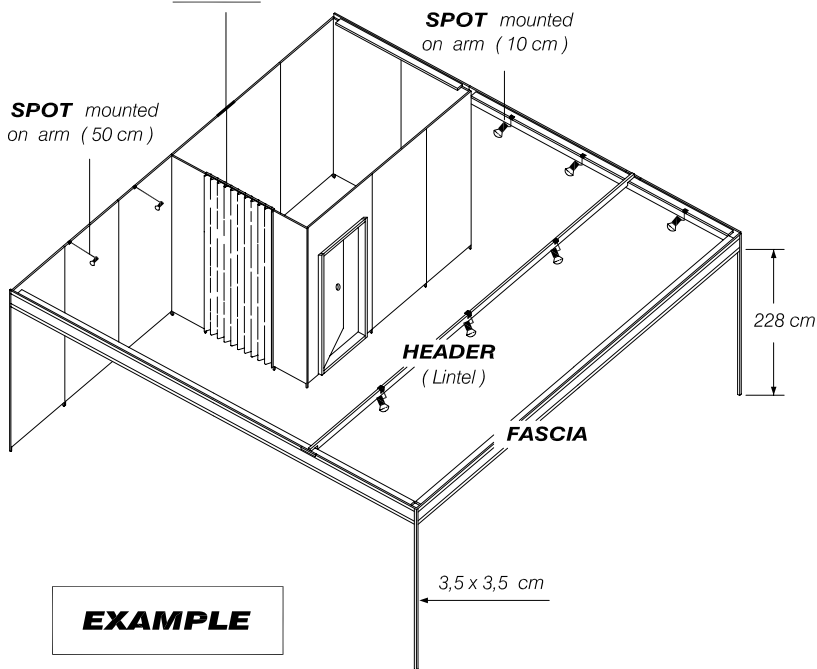
The fascia is made of wood, which has been painted off white (as the stand partitions).  
 - It has been raised 228 cm above the floor.

You are not allowed to fasten anything at all in the fascia with screws, nails etc.  
 - Nor to paint the fascia.

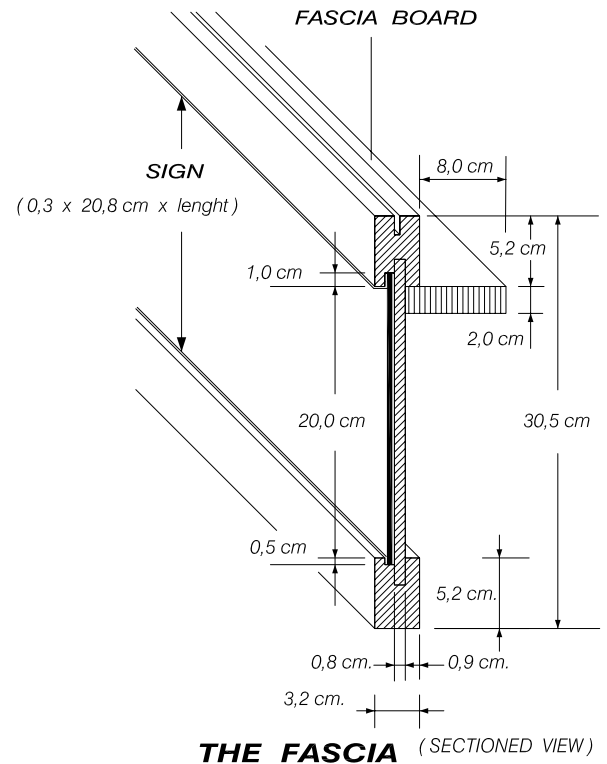
**RE: You Own Sign:** The fascia has been designed as a "sliding system".

### STAND PARTITION BOARDS

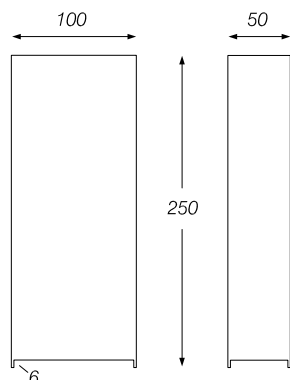
are connected at the top  
 by means of a U-section rail.



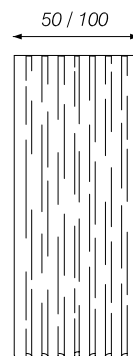
**EXAMPLE**



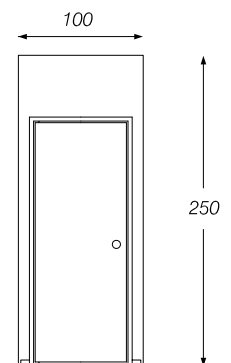
**THE FASCIA (SECTIONED VIEW)**



**STAND PARTITION BOARDS**



**DOOR CURTAIN**



**STAND DOOR (SWING DOOR)**